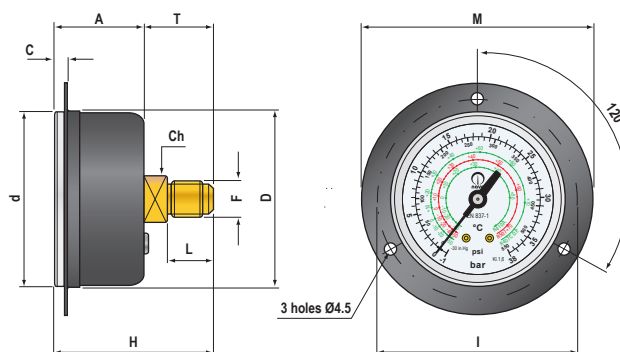


Dry steel case pressure gauges, back connection, Bourdon tube, brass wetted parts, suitable for applications with non aggressive fluids or gases to copper alloys. Special executions properly made for HVACR industries, refrigeration and air conditioning plants, automotive air conditioning devices, refrigeration machineries and technology.

F-Type panel mounting with front flange, centre back connection



Available Case Colors:

- Blue (for low pressure side installation)
- Red (for high pressure side installation)
- Black

Dimensions: mm	A	C	D	d	F	H	I	K	L	M	T	Ch	Weight
F-Type	29	5	64	63	1/8 M/F BSP, BSPT, NPT 1/4 BSP, BSPT, NPT, SAE	49	75		10 + 13	85	max 20	14	

Technical features

- Reference standard:** EN 837-1.
- Pressure ranges:** from -1 bar to 160 bar.
- Accuracy:** Kl. 1.6 % according to EN 837-1.
- Ambient temperature:** -25 ...+65 °C.
- Working fluid temperature:** max +65 °C
- Thermal effect:** when working temperature deviates from reference temperature (+ 20°C): max ± 0,4 % / 10K of full scale value.
- Working pressure:** Steady: 3/4 of full scale value.
Fluctuating: 2/3 of full scale value.
Short time: full scale value.
- Ingress protection:** IP 40 according to EN 60 529 / IEC 529.

Design features

- Proces connection:** Cu alloy.
- Cu alloy Bourdon tube:** C-type for pressure ranges < 60 bar;
helical-type for pressure ranges ≥ 60 bar.
- Case / Flange:** varnished steel (black, red or blue).
- Window:** SAN plastic material.
- Movement:** Cu alloy.
- Dial:** aluminium white with standard black / red lettering, with standard or customizable refrigerant temperature scales.
- Pointer:** aluminium black or polyamide PA66 30%GF black.

Options

- Damped movement.
- Internal pressure restrictor.
- Threads on request obtainable from Ø14.
- Customizable dials pressure scales and temperature refrigerant scales.
- Average working fluid temperature till 100 °C with special soft soldering.

Ordering Informations:

Type / Nominal Diameter / Pressure Range / Connection Type / Options

Modifications may take place and materials specified may be replaced by others without prior notice.
Specifications and dimensions given in this leaflet represent the state of engineering at the time of printing.

**AZIENDA CON SISTEMA
DI GESTIONE QUALITA'
CERTIFICATO DA DNV GL
= ISO 9001 =**



Nava s.a.s. di Nava M. & C.
Via Trieste, 10
22037 Pontelambro (Como)
tel. 031/620610
fax 031/621572
www.nava.it
E-Mail: info@nava.it